

Tube Endforming machines



SFER

Tube

- > Punching Force: 8 to 12 metric Tons
- > Up to Ø 60 mm – 2.4"

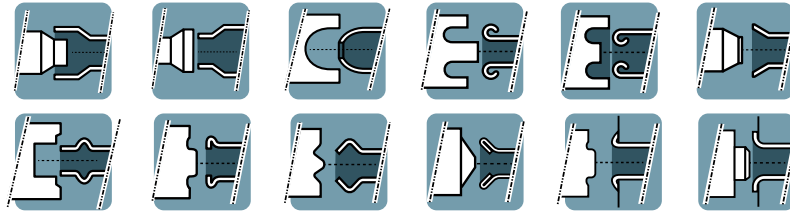


Revolutionizing CNC Technology for Wire,
Tube and Strip Forming Machinery

Tube Endforming machines

Tube

SFER



Main features:

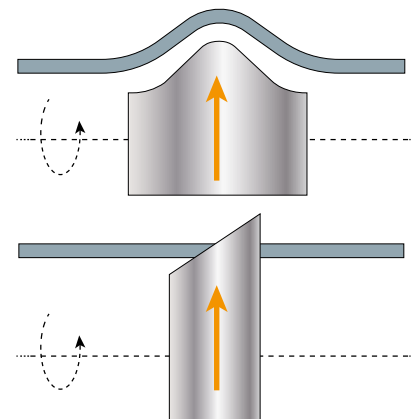
- > punching force: from 8 (clamping 12) to 12 (clamping 18) metric Tons
- > all electric machine
- > endforming 8 stamps (8 shots) – all stamps can be rotating
- > tooling adaptation flexibility – quick change over on working and clamping tool
- > numerical rolling head
- > micro or continuous lubrication
- > easy programming
- > easy integration in automated production cells
- > possibility to combine endforming with other complementary operations

Dimensions:

- > 2300 x 1500 x 2000 mm
- > 90 x 60 x 80"

Weight:

- > 1800 kg
- > 4000 lbs



Rolling and cutting method

- > from inside to outside
- > from outside to inside